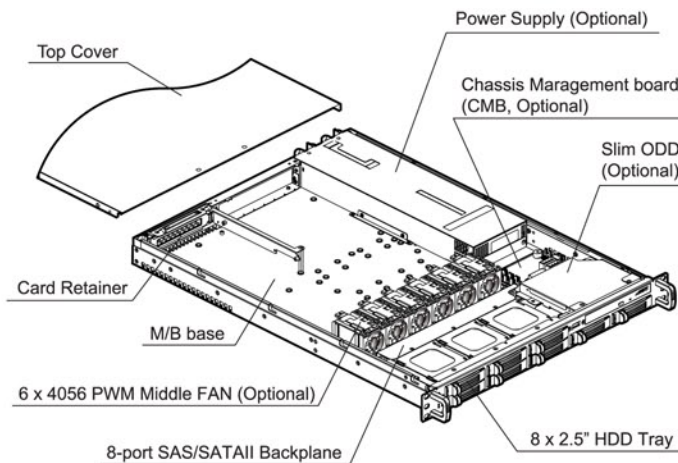


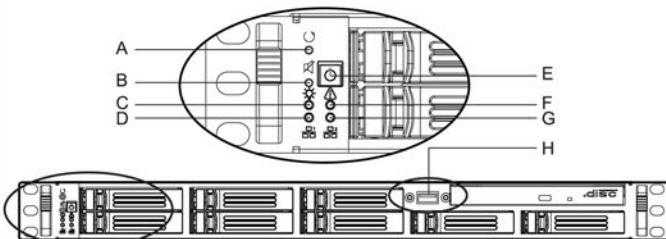
# RM13108 QUICK INSTALLATION GUIDE

## Major Components

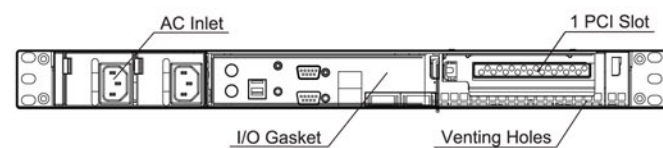


## Front Panel Controls and Indicators

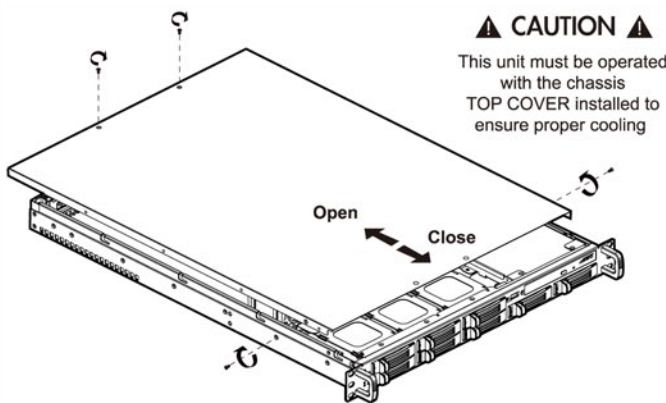
- |                        |                 |             |
|------------------------|-----------------|-------------|
| A. System Reset Button | D. LAN1 LED     | G. LAN2 LED |
| B. Alarm Mute Button   | E. Power Switch | H. USB Port |
| C. Power LED           | F. Failure LED  |             |



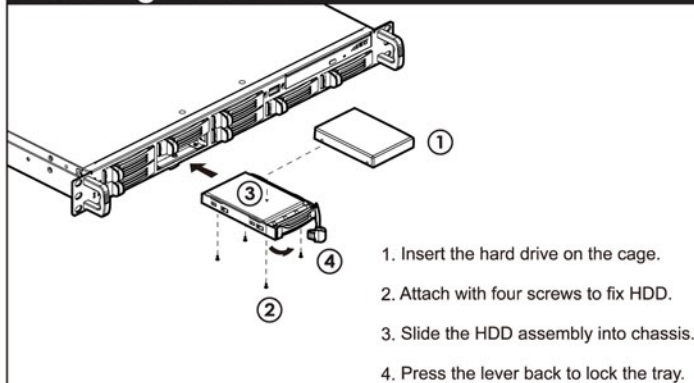
## Rear Window Configuration



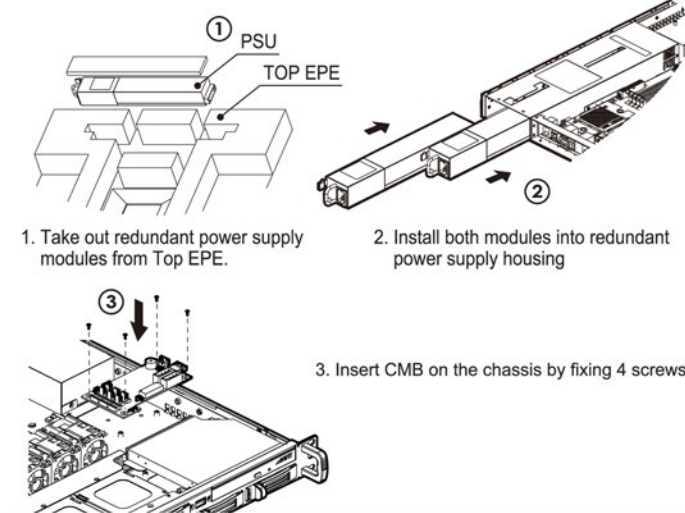
## Top Cover Opening



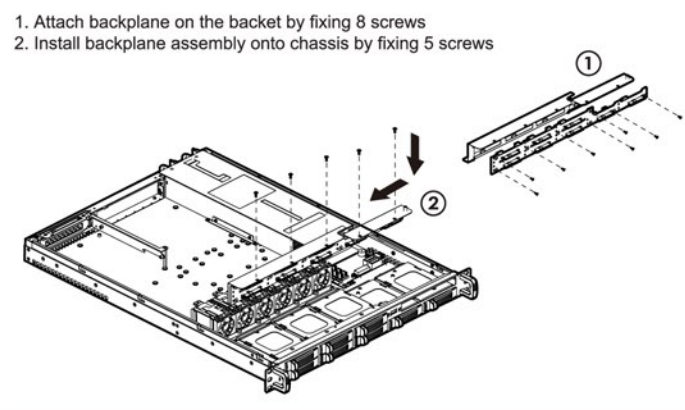
## Installing Hard Drive



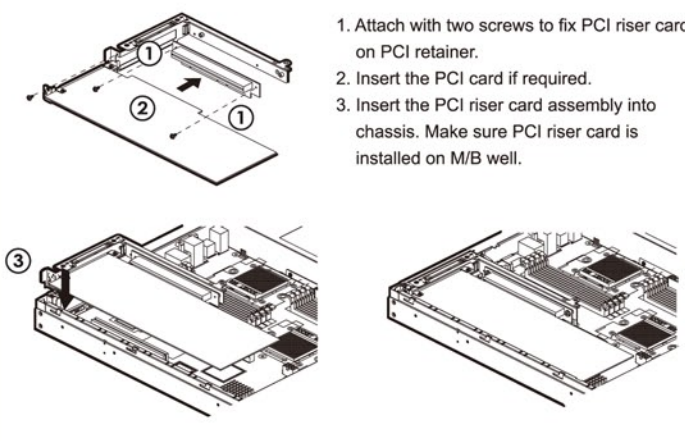
## Installing Power Supply and Chassis Management board



## Installing Backplane



## Installing PCI Riser Card



## Install Slim ODD and FAN

