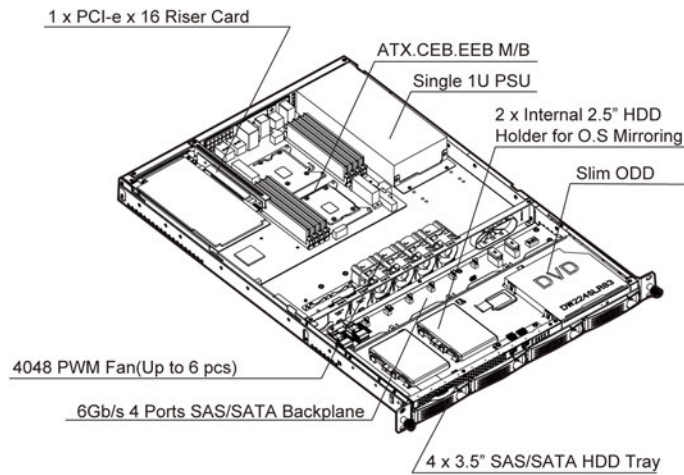
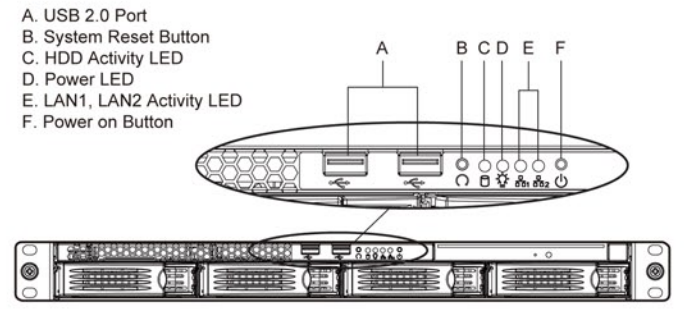


R13604 QUICK INSTALLATION GUIDE

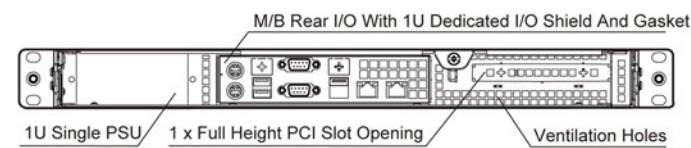
Major Components



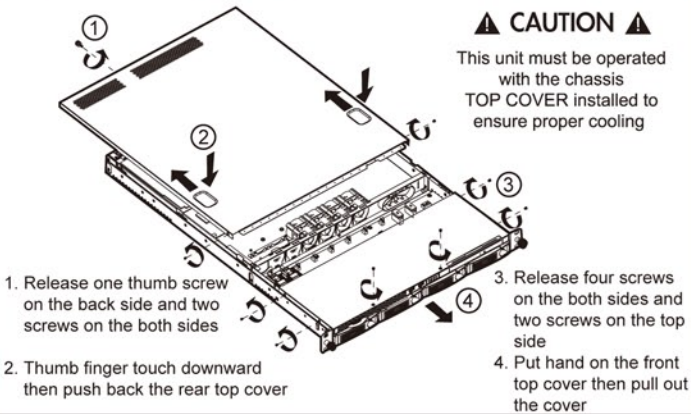
Front Panel Controls and Indicators



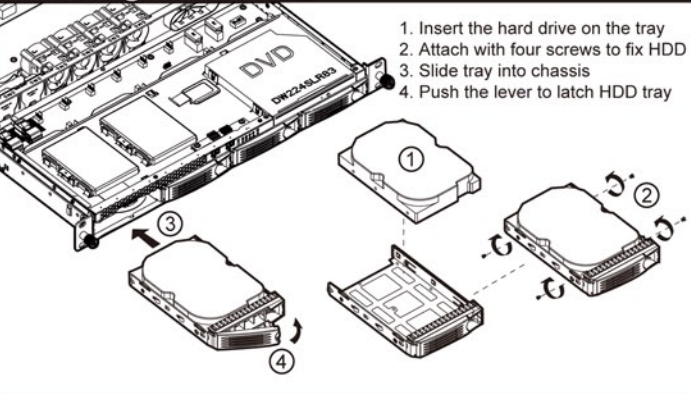
Rear Window Configuration



Top Cover Opening

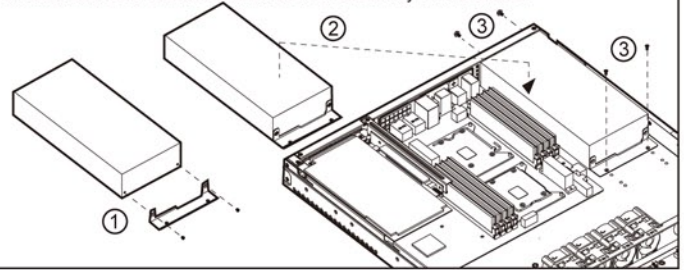


Installing Hard Drive



Installing Power Supply

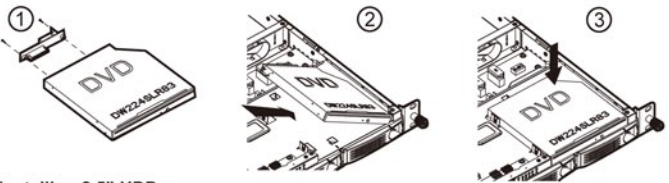
- Attach with two screws to fix front power bracket on the PSU
- Put PSU w/ bracket (PSU assembly) on the chassis
- Attach with four screws to fix whole PSU assembly on the chassis



Installing Slim ODD and 2.5" HDD

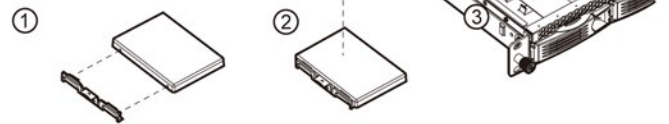
Installing slim ODD

- Attach with two screws for adapter
- Align two mounting holes to gauge pin by sloping
- Align other two mounting holes to gauge pin by sloping down until slim ODD fixed



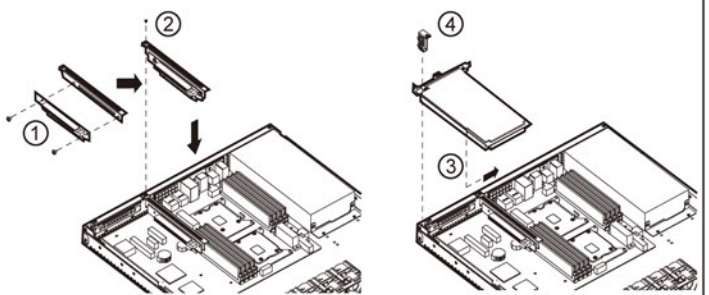
Installing 2.5" HDD

- Align the side bracket to the two mounting holes on the HDD
- Align other two mounting holes to gauge pin by sloping
- Align two mounting holes of side bracket to gauge pin by sloping down until HDD fixed



Installing PCI Riser Card

- Attach with two screws to fix PCI riser card on PCI retainer
- Insert the PCI riser card assembly into chassis and attach with one screw to fix
- Insert the PCI card to riser card
- Plug into screw-less retention to fix PCI card



Installing Backplane Assembly

- Align mounting holes of backplane to the stand off on the chassis
- Attach with ten screws to fix backplane on the chassis directly

