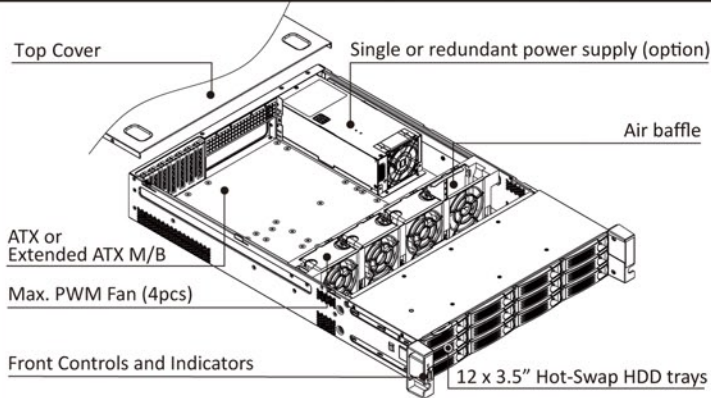
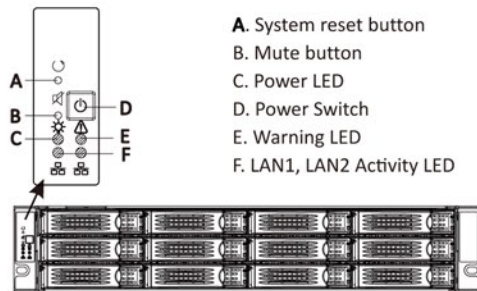


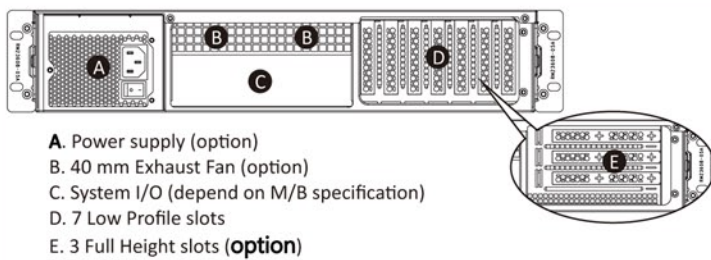
Major Components



Front Panel Controls and Indicators



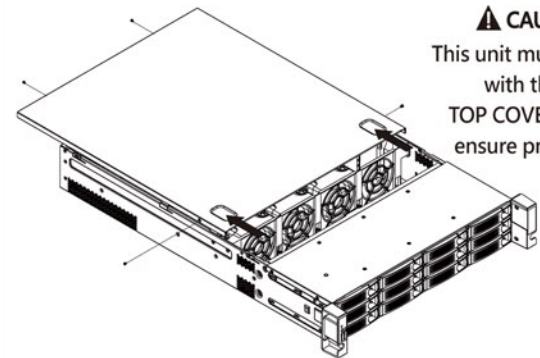
Rear Window Configuration



Top Cover Opening

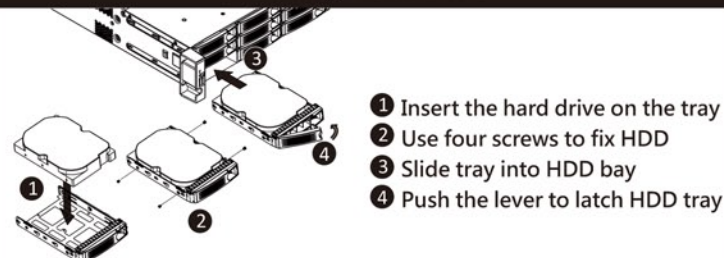


This unit must be operated with the chassis TOP COVER installed to ensure proper cooling

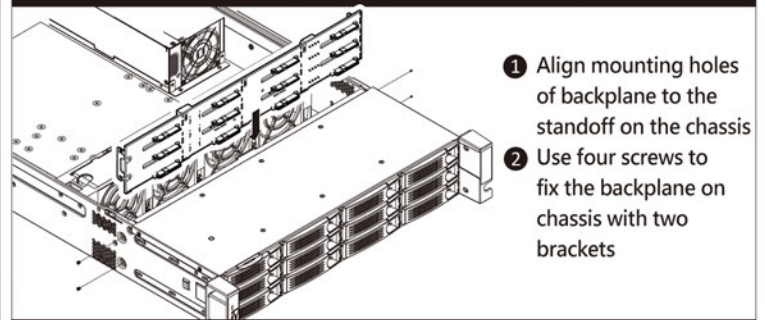


- 1 Release two screws on the back side and two screws on both left and right sides
- 2 Thumb finger touch downward and then push backward the rear top cover

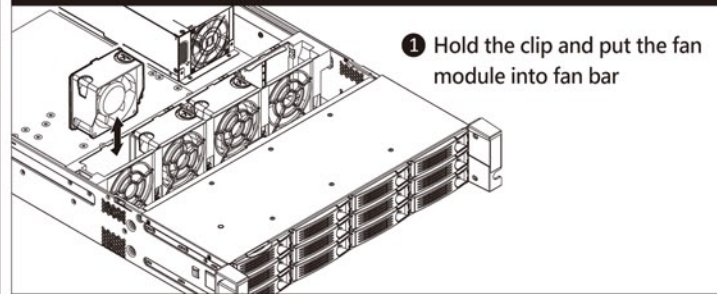
Installing Hard Drive



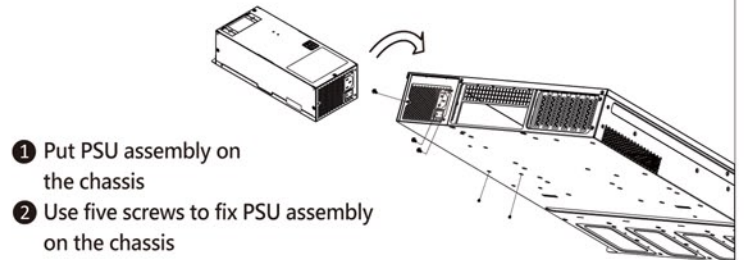
Installing Backplane Assembly



Installing Middle Fan Module

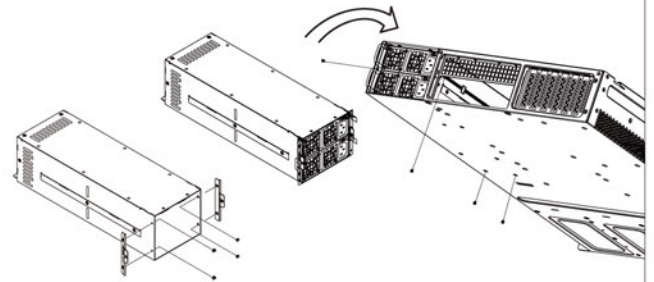


Installing Power Supply - Single



Installing Power Supply - Redundant

- 1 Use four screws to fix side power brackets on the PSU
- 2 Put PSU w/ brackets on the chassis
- 3 Use four screws to fix whole PSU assembly on the chassis



Installing PCI Riser Card

